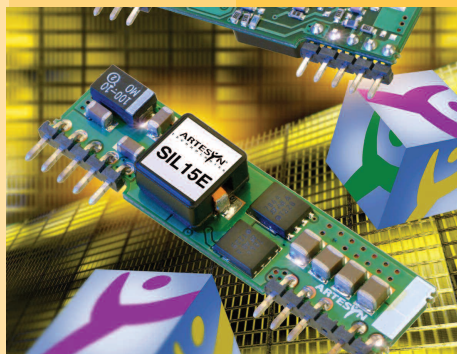
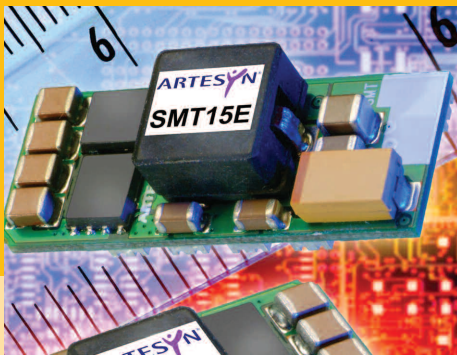




SMT15E/SIL15E 12Vin Single

Application Note 142

1. Introduction	2	5. Mechanical Information	5
2. Models		Mechanical Outline Drawing	5
Basic Features	2	Pin-out Tables	5
3. General Description		Pin Composition	5
Electrical Description	2	PCB Layout Information	5
Physical Construction	2	6. Packaging Information	
4. System Interface Information		Packaging	6
Input Characteristics	3	Labels and Part Numbering Sequence	6
Reflected Ripple Current	3	7. Safety Information	
Input Source Impedance and Input Capacitance	3	Safety Standards and Approvals	6
Output Characteristics and Output Capacitance	3	Fuse Information	6
Converter Stability	3	Safety Considerations	6
Transient Response	4	8. Operating Information	
Ripple and Noise	4	Over Temperature Protection	7
EMC	4	Short Circuit and Over Load	7
		9. Feature Set	
		Trimming the Output Voltage	7
		Remote ON/OFF	8
		Remote Sense	8
		Parallel and Series Operation	8
		10. Thermal Information	
		Thermal Reference Points	9
		Thermal Derating curves	9
		Thermal Test Set-up	9
		11. Use in a Manufacturing Environment	
		ESD Requirements	10
		Soldering Requirements	10
		Coplanarity	10
		Paste Height/Coverage for SMT15E	10
		Recommended Land Pattern	10
		Pick and Place Information for SMT15E	10
		Water Washing	11
		Inspection/Rework for SMT15E	11
		Storage	11



1. Introduction

This application note describes the features and functions of Artesyn Technologies' 12V, 15A series of non-isolated Surface-Mountable and plated through hole, high power density, single DC/DC converters. These Point of Load modules are targeted specifically at the fixed and mobile telecommunications, industrial electronics and distributed power markets.

Both models are available with a 10V to 14VDC operating range and can operate over an ambient temperature range of -40°C to $+85^{\circ}\text{C}$. Ultra-high efficiency operation is achieved through the use of synchronous rectification and control techniques. The modules are fully protected against short-circuit and over-temperature conditions. Standard features include remote ON/OFF and remote sense.

The series has been designed primarily for telecommunication applications. Automated manufacturing methods, together with an extensive qualification program, ensure that all SMT15E and SIL15E series converters are extremely reliable.

2. Models

The 12V series comprises of 2 models, as listed in Table 1.

Model	Input Voltage	Output Voltage	Output Current
SMT15E-12W3V3J	10.0 - 14.0DC	0.8 - 3.63V	15A
SIL15E-12W3V3-VJ	10.0 - 14.0DC	0.8 - 3.63V	15A

Table 1 - SMT15E and SIL15E Models

RoHS Compliance Ordering Information



The 'J' at the end of the part number indicates that the part is Pb-free (RoHS 6/6 compliant). TSE RoHS 5/6 (non Pb-free) compliant versions may be available on special request, please contact your local sales representative for details.

2.1 Features

- High efficiency topology, typically 94% at 3.3Vout @ full load
- Industry standard footprint
- Wide ambient temperature range, -40°C to $+85^{\circ}\text{C}$
- 0.8V to 3.63V output voltage adjustability both models
- No minimum load requirement
- Remote ON/OFF
- Remote sense compensation
- Fixed switching frequency
- Continuous short-circuit protection
- Overtemperature protection (OTP)
- Available RoHS compliant

3. General Description

3.1 Electrical Description

A block diagram of the both converter is shown in Figure 1. Extremely high efficiency power conversion is achieved through the use of synchronous rectification techniques.

The POL topology is a non-isolated three terminal synchronous buck converter. The control of the synchronous rectifiers are optimised for high efficiency power conversion.

The output is adjustable over a range of 0.8V to 3.63V by means of an external resistor from trim pin to ground. The output voltage default is 0.8V, which can be trimmed up to any required setpoint within the range. See Section 9.1 for details.

The converter can be shut down via a remote ON/OFF input that is referenced to ground. This input is compatible with popular logic devices; an 'active high' logic input is supplied as standard. Active high implies that the converter is disabled if the remote ON/OFF input is $\leq 0.8\text{V}$, and enabled if it is high ($\geq 1.6\text{V}$) or floating.

The converter is also protected against over-temperature conditions. If the converter is overloaded or the ambient temperature gets too high, the converter will shut down until the temperature falls below a minimum threshold. There is a thermal hysteresis of typically 105°C to 120°C PCB temperature, to protect the unit.

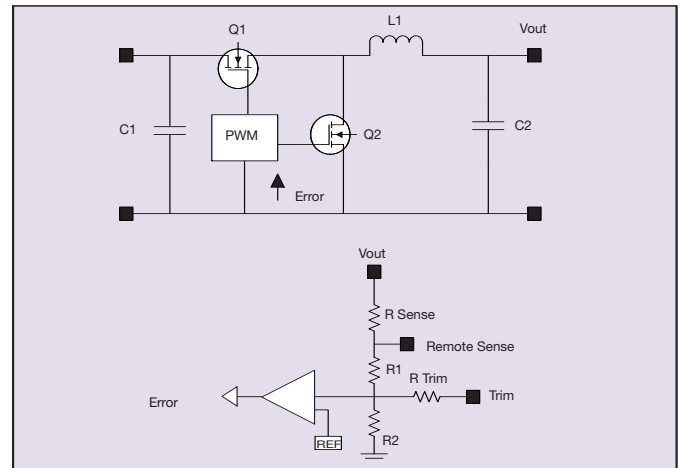


Figure 1 - Electrical Block Diagram

3.2 Physical Construction

The SMT15E and SIL15E are constructed using a multi-layer FR4 PCB. SMT power components are placed on one side of the PCB, and all low-power control components are placed on the other side. Heat dissipation of the power components is optimized, ensuring that control components are not thermally stressed.

The converter is an open-frame product and has no case or case pin. The open-frame design has several advantages over encapsulated closed devices. Among these advantages are:

- **Cost:** no potting compound, case or associated process costs involved.
- **Thermals:** the heat is removed from the heat generating components without heating more sensitive, less tolerant components.
- **Environmental:** some encapsulants are not kind to the environment and create problems in incinerators. Further more open-frame converters are more easily re-cycled.
- **Reliability:** open-frame modules are more reliable for a number of reasons, including improved thermal performance and reduced TCE stresses.

A separate paper discussing the benefits of open-frame DC/DC converters (Design Note 102) is available at www.artesyn.com

4. System Interface Information

4.1 Input Characteristics

The SMT15E and SIL15E 12Volt series have an input voltage range of 10.0 to 14.0 volts. The wide input voltage range gives designers more flexibility in choosing an Intermediate Bus convertor to operate the Point of Load convertor

4.1.1 Reflected Ripple Current

Because of the switching operation of the design, there is an AC current generated at the input of the unit. This is referred to as input reflected ripple current.

The typical ripple current for the SMT15E and SIL15E series is approx 800mA peak to peak at full load, with the output trimmed up to 3.3V.

4.1.2 Input Source Impedance and Input Capacitance

The SMT15E and SIL15E converter must be connected to a low AC source impedance. High source inductance can affect the loop stability. Input capacitance should be placed close to the converter input pins to decouple distribution inductance. The external input capacitors must be chosen for suitable ripple current rating. Electrolytic capacitors should be avoided. Recommended input capacitors are ceramics such as 10 μ F 20V 1812 or similar.

4.2 Output Characteristics and Output Capacitance

The SMT15E and SIL15E series has been designed for stable operation without the need for external capacitance at the output terminals. However, when powering loads with dynamic current requirements, improved voltage regulation can be obtained by inserting capacitors as close as possible to the load. The most effective technique is to locate low ESR ceramic capacitors (for example 10 μ F or greater GRM series from Murata or similar) as close to the load as possible. These ceramic capacitors will handle the short duration high frequency components of the dynamic current requirement.

It is equally important to use good design practices when configuring the DC distribution system. Low resistance and low inductance PCB layout traces should be utilized, particularly in the high current output section. Remember that the capacitance of the distribution system and the associated ESR are within the feedback loop of the power module. This can have an effect on the module's compensation capabilities and its resultant stability and dynamic response performance. With large values of capacitance, the stability criteria depend on the magnitude of the ESR with respect to the capacitance. As much of the capacitance as possible should be outside the remote sensing loop and close to the load. Note that the maximum rated value of output capacitance for all models is 10,000 μ F. Contact your local Artesyn Technologies representative for further information if larger output capacitance values are required in the application.

4.2.1 Converter Stability

The SMT15E and SIL15E series has been designed to meet a minimum criteria of at least 45° at unity gain over all line and load operating conditions. The selection of compensation components ensure the design is unconditionally stable for all operating conditions. Bode plot measurements have been taken to prove out theoretical analysis of the design. because of the high DC gain, the bode plots were carried out with the unit in closed loop operation. A sample measurement is shown in Figure 2 and 3. These were taken at nominal input voltage, full output current and Vout set to 3.3V.

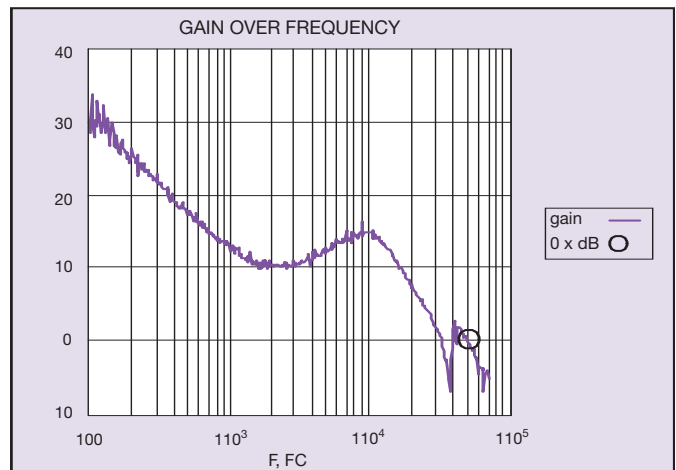


Figure 2 - Converter Stability Plot

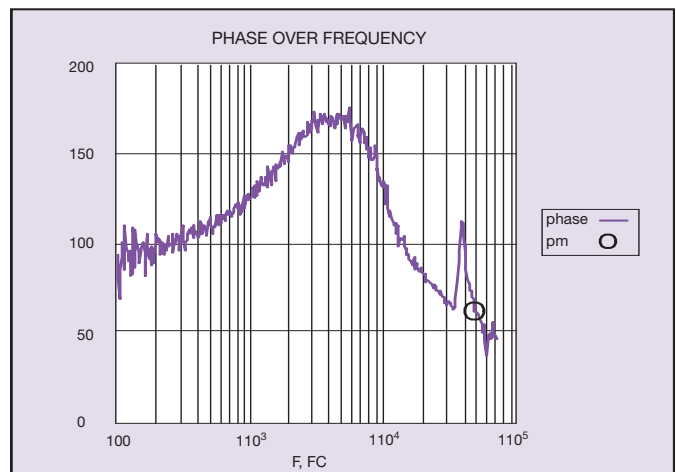


Figure 3 - Converter Stability Plot

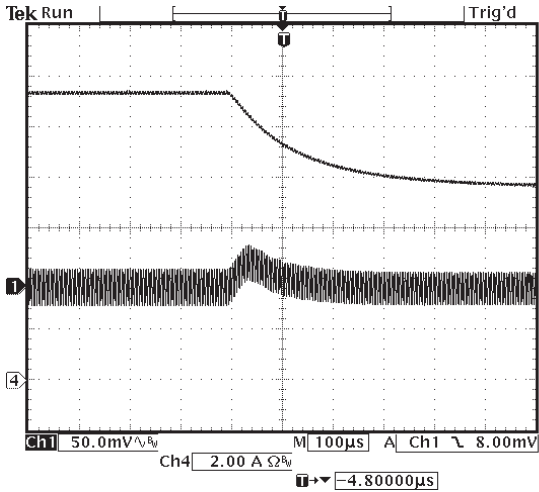


Figure 4 - Typical Transient Response for 75% to 50% (100mAµs¹) Load Step

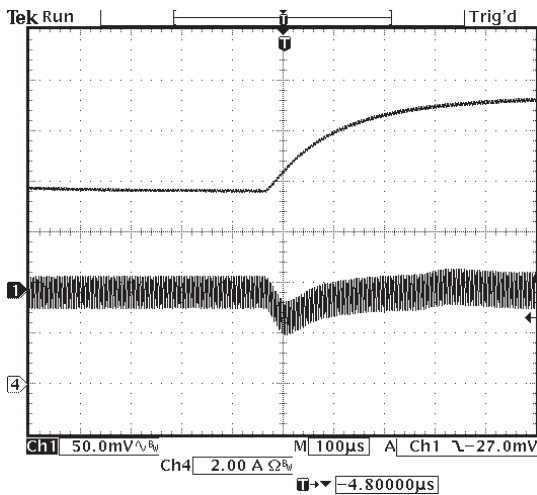


Figure 5 - Typical Transient Response for 75% to 50% (100mAµs¹) Load Step

4.2.2 Ripple and Noise

The measurement set-up outlined in Figure 6 has been used for output voltage ripple and noise measurements on SMT15E and SIL15E series converters. When measuring output ripple and noise, a 50Ω coaxial cable with a 50Ω termination should be used to prevent impedance mismatch reflections disturbing the noise readings at higher frequencies.

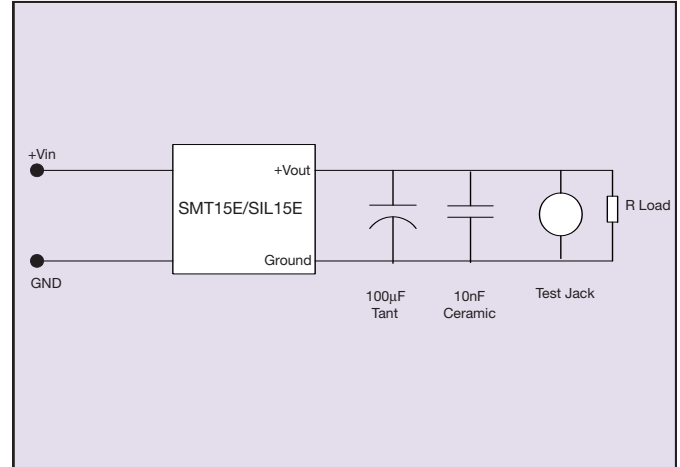


Figure 6 - Ripple and Noise Measurement Set-up

4.3 EMC

The SMT15E and SIL15E range have been designed to comply with the EMC requirements of EN61000. It has been tested and has passed radiated noise immunity (EN61000-4-3) and conducted noise immunity (EN61000-4-4) both with normal performance.

5. Mechanical Information

5.1 Mechanical Outline Drawing

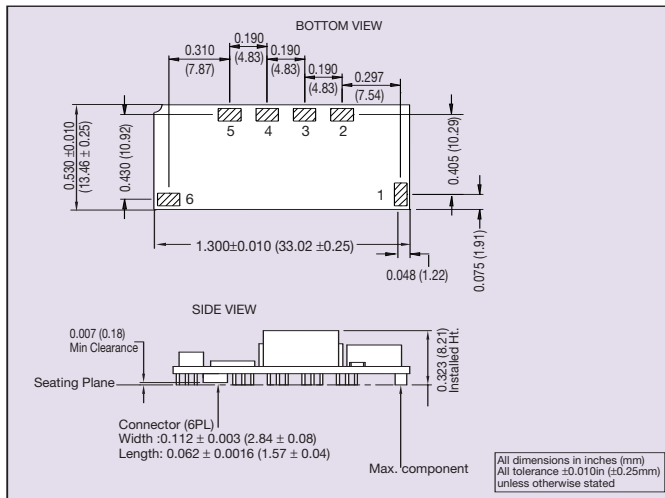


Figure 7 - SMT15E Mechanical Outline

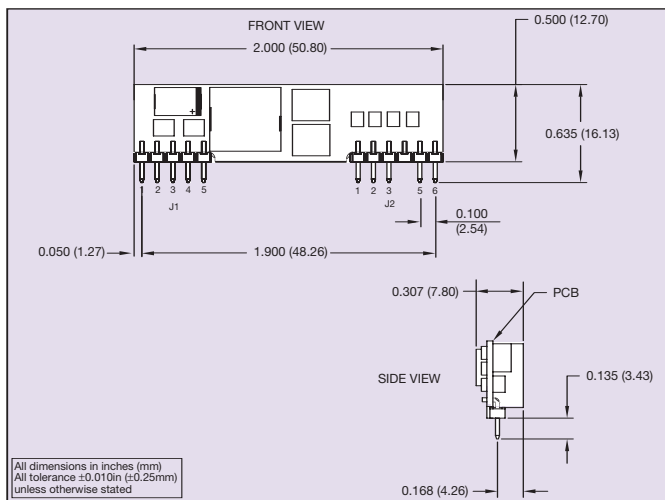


Figure 8 - SIL15E Mechanical Outline

5.2 Pin-out Tables

PIN CONNECTIONS	
PIN NUMBER	FUNCTION
1	Remote ON/OFF
2	Remote Sense+
3	Trim
4	+Vout
5	Ground
6	+Vin

SMT15E Pin-Out

J1 PIN CONNECTIONS	
PIN NUMBER	FUNCTION
1	+Vout
2	+Vout
3	Remote Sense (+)
4	+Vout
5	Ground

J2 PIN CONNECTIONS	
PIN NUMBER	FUNCTION
1	Ground
2	+Vin
3	+Vin
4	No Pin
5	Trim
6	Remote ON/OFF

SIL15E Pin-Out

5.3 Pin Composition

The Patent pending surface mount links provide mechanical, electrical and thermal connection between the convertor and application. They are constructed from a high conductivity alloy giving superior electrical and thermal connection. The geometry of the link ensures high shear strength when soldered, while meeting coplanarity specification of '<0.004". The links are plated with a 90/10 tin/lead electroplate over a nickel barrier layer.

5.4 PCB Layout Information

The PCB acts as a heat sink and draws heat from the unit via conduction through the pins and through radiation. The end user must ensure that other components and metal in the vicinity of the SMT15E and SIL15E meet the spacing requirements to which the system is approved. Low resistance and low inductance PCB layout traces should be used where possible, particularly when high currents are flowing (e.g. the output side). A low impedance track should connect input ground and output ground to maximize efficiency of the unit. See section 11.5 for the recommended land patterns.

6. Packaging Information

6.1 Packing

The SMT15E are available in trays of 30 units and tape and reel format in quantities of 250 units per reel. Tray and tape dimensions including pick point are shown in the following diagrams.

The SIL15E are packaged individually in anti-static bags, then in anti-static foam in boxes of 84 pieces.

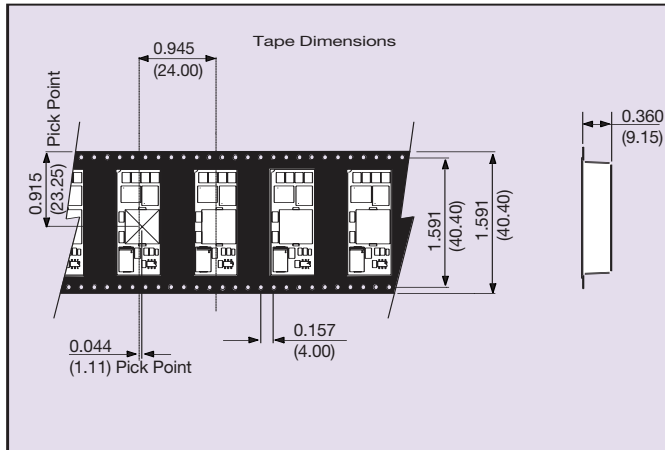


Figure 9 - SMT15E Tape Dimensions

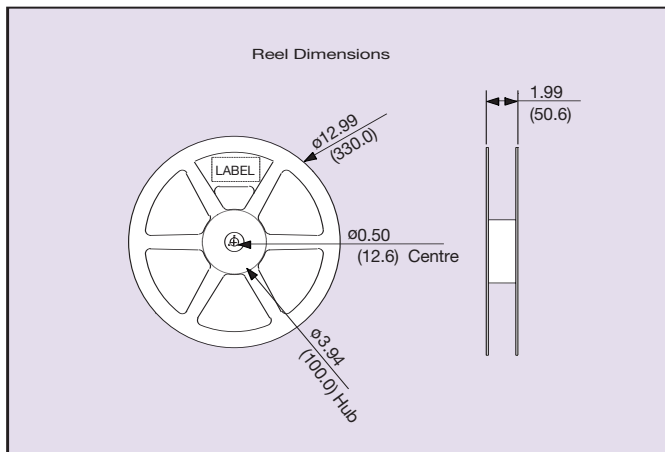


Figure 10 - SMT15E Reel Dimensions

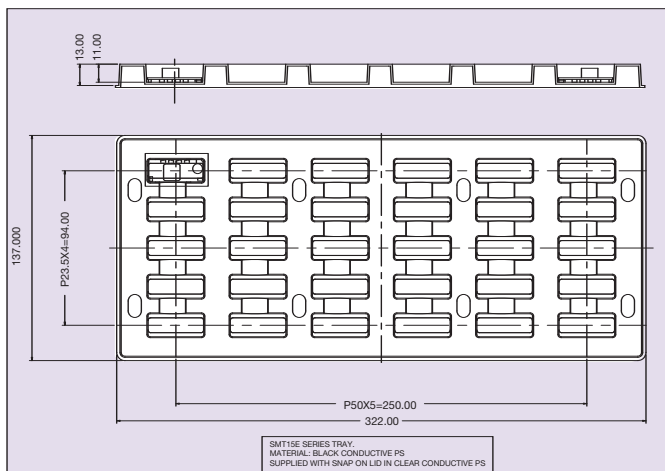


Figure 11 - SMT15E Tray

6.2 Labels and Part Numbering Sequence

All units in the series will be clearly marked to allow ease of identification for the end user. Figure 12 gives details of all the models.

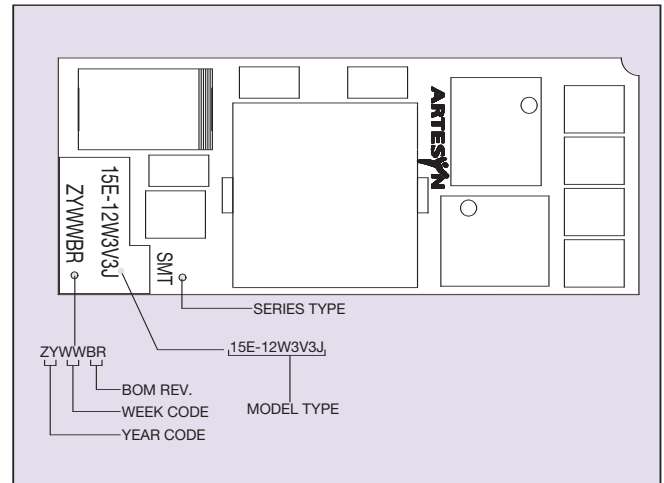


Figure 12 - SMT15E Part Numbering

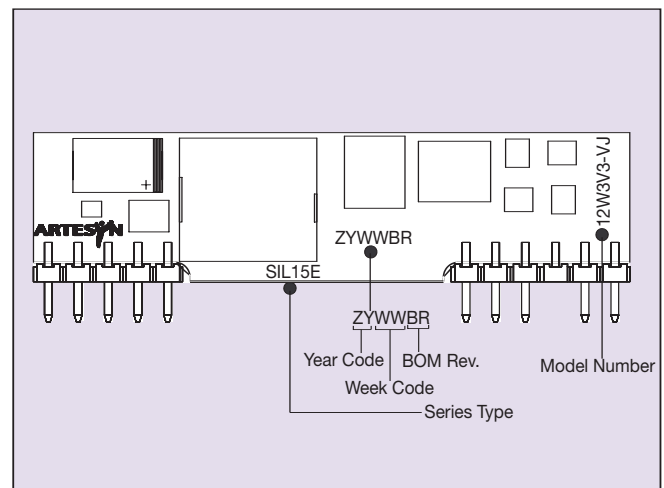


Figure 13 - SIL15E Part Numbering

7. Safety Information

7.1 Safety Standards and Approvals

All models will have full international safety approval including EN60950 and UL/cUL1950. Models have been submitted to independent safety agencies for approval.

7.2 Fuse Information

In order to comply with safety requirements the user must provide a fuse in the unearthed input line. This is to prevent earth being disconnected in the event of a failure.

A 10A amp fast blow fuse should be used for all models. Recommended fuse: Bussman ABC-V-10.

7.3 Safety Considerations

The converter must be installed as per guidelines outlined by the various safety agency approvals, if safety agency approval is required for the overall system.

8. Operating Information

8.1 Over-temperature Protection (OTP)

The 12V non-isolated Point of Load range is equipped with non-latching over-temperature protection. A temperature sensor monitors the temperature of the top switch. If the temperature exceeds a threshold of 120°C (typical) the converter will shut down, disabling the output. When the case temperature has decreased by between 10°C and 15°C the converter will automatically restart.

The unit might experience over-temperature conditions during a persistent overload on the output. Overload conditions can be caused by external faults. OTP might also be entered due to a loss of control of the environmental conditions (e.g. an increase in the converter's ambient temperature due to a failing fan).

8.2 Short Circuit Protection

In the event of a short circuit the unit will enter a hic-cup mode, to provide fault protection. Once the source of the short circuit has been removed the unit will auto-recover, and will remain undamaged while in a short circuit mode. This design is protected only against extreme short circuits. The unit is protected in an over-load condition by an over-temperature protection device. We do not recommend operating this unit in a heavy over-load condition as it may reduce the lifetime of the converter.

9. Feature Set

9.1 Trimming the Output Voltage

The SMT15E and SIL15E 12V series have an output setpoint default of 0.8V.

This setpoint can be set by the user to any required voltage of 0.8V to 3.63V. When trimmed up by the user, the unit can deliver an output load of 15Amps or 49.5Watts whichever is the lesser of the two.

The output can be trimmed up by placing an external resistor between Trim pin and Ground.

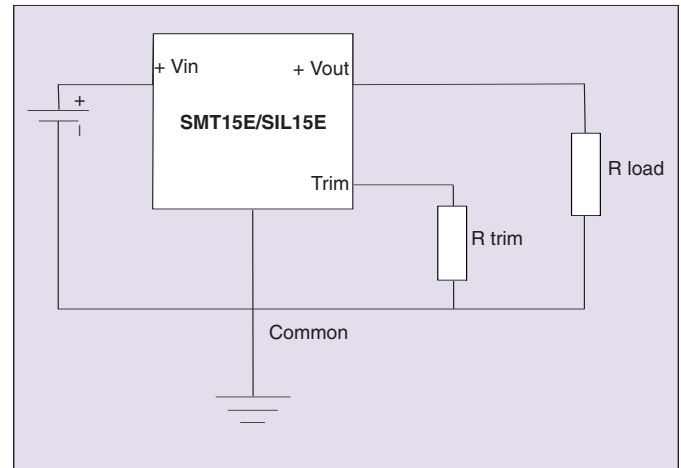


Figure 14 - Output Trim-up Resistor to Ground

The output setpoint can be set with an external resistor as governed by the following equation

$$R_{\text{trim}} = \left[\frac{9605}{V_{\text{out}} - 0.8} - 722 \right]$$

Where V_{out} is the required output setpoint
 R_{trim} is given in Ohms

For example to set the output voltage to 1.8, R_{trim} is calculated as follows

$$R_{\text{trim}} = \left[\frac{9605}{1.8 - 0.8} - 722 \right]$$

$$R_{\text{trim}} = 8.87\text{k}\Omega$$

V_o (V)	R_{trim} (K Ω)
0.8	Open
1.2	22.3
1.5	13.0
1.8	8.98
2.0	7.41
2.5	4.99
3.3	3.12

Above is a table of E-192 value resistors that can be used to trim some standard voltage output setpoints.

Care needs to be taken when placing the external trim resistor. Poor grounding on the layout for this resistor may result in an increase of load regulation for the unit. The resistor should be placed directly between the trim pin and ground of the unit.

The trim curve can be graphed as shown below:

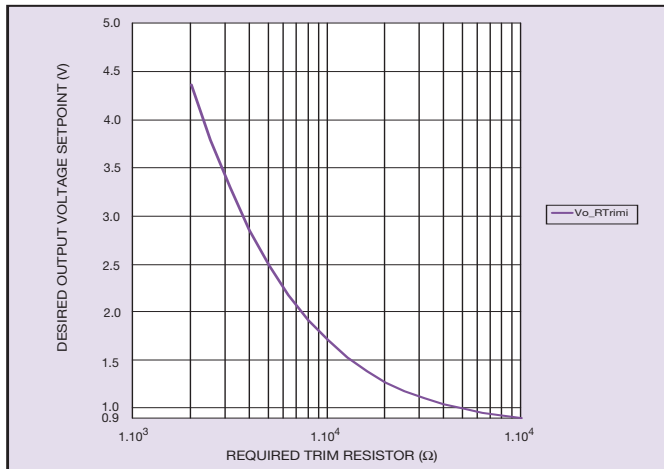


Figure 15 - Trim Up

9.2 Remote ON/OFF

The remote ON/OFF input allows external circuitry to put the SMT15E and SIL15E converters into a low dissipation sleep mode. Active-high remote ON/OFF is available as standard.

Active-high units of the SMT15E and SIL15E series are turned on if the remote ON/OFF pin is high, or leaving it floating. Pulling the pin low will turn off the unit. The signal level of the remote on/off input is defined with respect to ground. The unit is guaranteed ON if this voltage level exceeds 1.6V. The unit is guaranteed OFF if this voltage level is equal to or less than 0.8V.

To simplify the design of the external control circuit, logic signal thresholds are specified over the full temperature range. The maximum remote ON/OFF input open circuit voltage, as well as the acceptable leakage currents, are specified in the Longform Datasheet. The remote ON/OFF input can be driven as described in Figure 16.

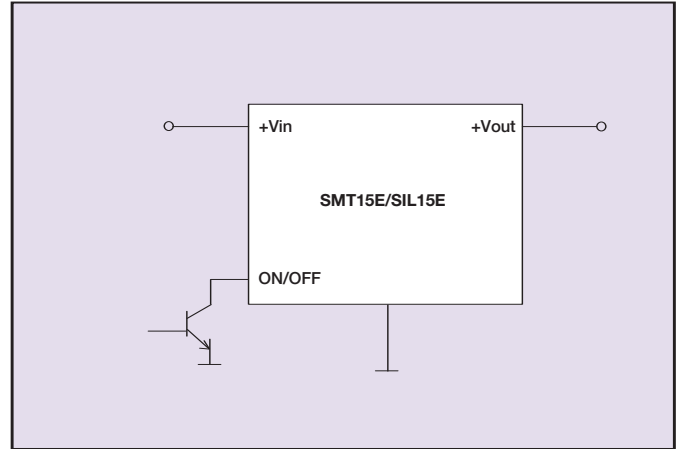


Figure 16 - Remote ON/OFF

9.3 Remote Sense

The remote sense compensation feature minimizes the effect of resistance in the distribution system and facilitates accurate voltage regulation at the load terminals or another selected point. The remote sense line will carry very little current and hence do not require a large cross-sectional area. However, if the sense line is routed on a PCB, it should be located close to a ground plane in order to minimize any noise coupled onto the lines that might impair control loop stability. A small 100nF ceramic capacitor can be connected at the point of load to decouple any noise on the sense wires. The module will compensate for a maximum drop of 10% of the nominal output voltage. However, if the unit is already trimmed up, the available remote sense compensation range will be correspondingly reduced. Remember that when using remote sense compensation all the resistance, parasitic inductance and capacitance of the distribution system are incorporated into the feedback loop of the power module. This can have an effect on the module's compensation capabilities, affecting its stability and dynamic response.

9.4 Parallel and Series Operation

Parallel operation of multiple converters is not recommended. If unavoidable, some de-coupling technique must be incorporated onto the user's design. It should be noted that this measure will adversely affect power conversion efficiency.

10. Thermal Information

10.1 Thermal Reference Points

The electrical operating conditions namely:

- Input voltage, V_{in}
- Output voltage, V_o
- Output current, I_o

determine how much power is dissipated within the converter. The following parameters further influence the thermal stresses experienced by the converter:

- Ambient temperature
- Air velocity
- Thermal efficiency of the end system application
- Parts mounted on system PCB that may block airflow
- Real airflow characteristics at the converter location

The maximum acceptable temperature measured at the thermal reference points is 115°C. These thermal reference points are shown in Figures 17 and 18.

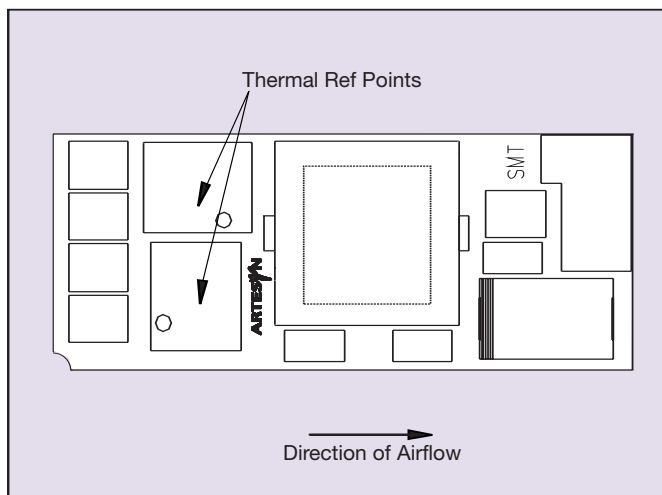


Figure 17 - Thermal Reference Point Locations on SMT15E Converters

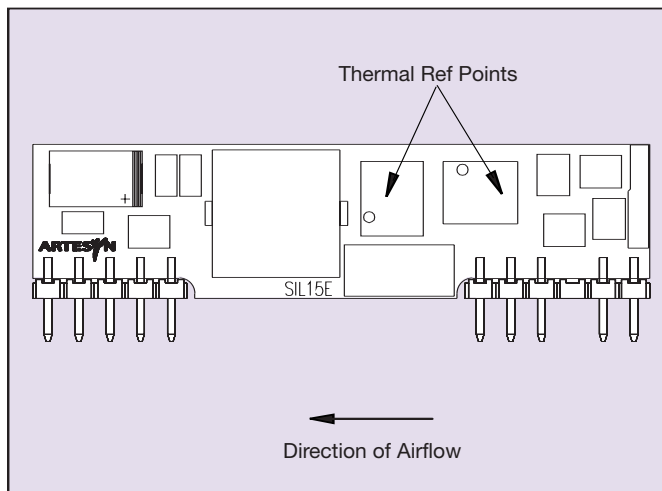


Figure 18 - Thermal Reference Point Locations on SIL15E Converters

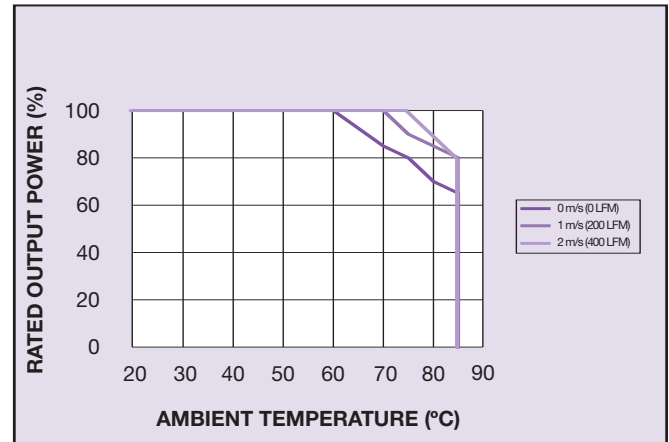


Figure 19 - Thermal Derating Curves SMT15E-12W3V3J Model

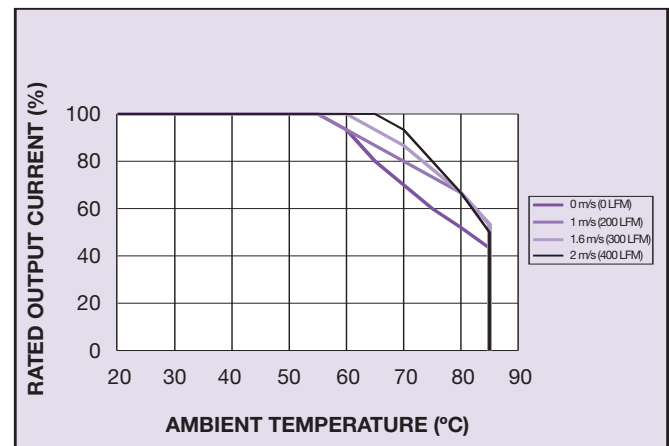


Figure 20 - Thermal Derating Curves SIL15E-12W3V3-VJ Model

10.2 Thermal Derating Curves

Thermal characterisation data is presented in the datasheet in a thermal derating graph which is repeated here in Figures 19 and 20. This derating graph shows the load current versus the ambient air temperature and velocity. The air velocity is in the direction indicated by the arrow in Figures 17 and 18.

10.3 Thermal Test Set-up

All of the data was taken with the converter soldered to a test board which closely represents a typical application. The test board is a 1.6 mm, eight layer FR4 pcb with the inner layers consisting of 2oz power and ground planes. The top and bottom layers contain a minimal amount of metalisation. A board to board spacing of 1 inch was used. The data represented by the 0 m/s curve indicate a natural convection condition i.e. no forced air. However, since the thermal performance is heavily dependent upon the final system application, the user needs to ensure the thermal reference point temperatures are kept within the recommended temperature rating. It is recommended that the thermal reference point temperatures are measured using either AWG #36 or #40 gauge thermocouples or an IR camera. In order to comply with stringent Artesyn derating criteria, the ambient temperature should never exceed 85°C. Please contact Artesyn Technologies for further support.

11. Use in a Manufacturing Environment

11.1 ESD Requirements

All units are manufactured in an ESD controlled environment and supplied in conductive packaging to prevent ESD damage occurring before or during shipping. It is essential that they are unpacked and handled using approved ESD control procedures. Failure to do so may affect the lifetime of the converter.

11.2 Soldering Requirements

The SMT15E is an open-frame power module manufactured with conventional surface mount technology using 62/36/02 with no-clean flux.

The SMT interconnect pins are a copper alloy with a solderable coating to prevent corrosion and ensure good solderability and shelf life. The coating is tin-lead with a nominal alloy composition of 60/40. This near-eutectic solder layer melts close to 183°C. During soldering the lead temperatures must exceed this by approximately 30°C to ensure a reliable solder joint.

Due to the fact that components with high thermal capacity such as the SMT15E may be slower to heat up than typical SMT parts, it may be necessary to customise the solder reflow profile. In doing this, customers need to be cognisant of the process limitations of other relevant components. The temperature of each SMT interconnect lead will vary during reflow due to differences in internal components, PCB lands and connecting paths. +Vout is a good choice for conservative temperature measurement, because it is typically connected to heavy copper paths. Figure 21 shows the recommended temperature of the +Vout pin during a typical reflow profile. The SMT15E is compatible with convection soldering using common solder alloys such as 63/37 and 62/36/02.

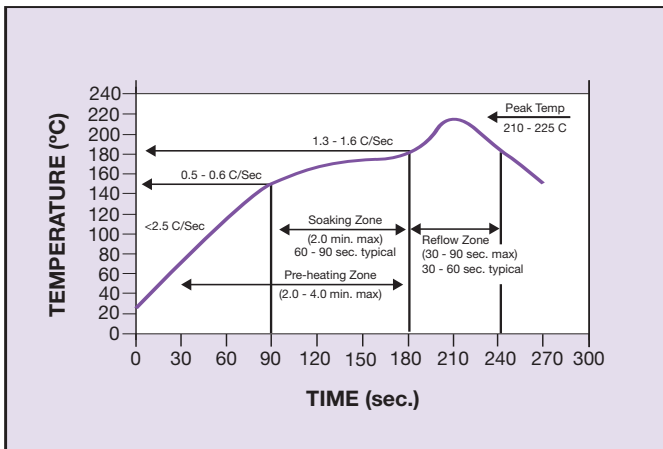


Figure 21 - Solder Reflow Profile per CECC 00802

11.3 Coplanarity

The SMT15E has a maximum co-planarity as defined by JESD22-B108 of better than 100µm (approximately 0.004inch). Innovative design, interconnect technology, and specialised manufacturing processes ensure product integrity.

11.4 Paste Height/Coverage for the SMT15E

Good quality solder joints have been demonstrated using a volume of 1.15mm³ (85260 cubic mils) of solder paste containing 90% metal. this can be achieved by printing solder paste using a 150µm (0.006 inches) stencil on pads measuring 3.7 x 2.5mm.

11.5 Recommended Land Pattern

It is recommended that the customer uses a solder mask defined land pattern similar to that shown in the following figure:

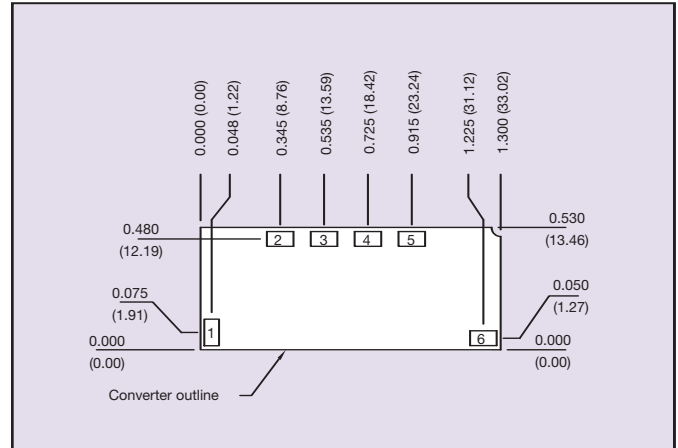


Figure 22 - Recommended Land Pattern for SMT15E

The minimum recommended pad size is 0.140 x 0.095 in (3.56 x 2.41mm) and the maximum pad size is 0.165 x 0.110in (4.19 x 2.79mm).

As a surface-mount power component, interconnection to internal power planes will typically be required. This is accomplished by placing a number of vias between the SMT pad and the relevant plane. the number and exact location of these vias should be determined based on electrical resistivity, current flow and thermal requirements.

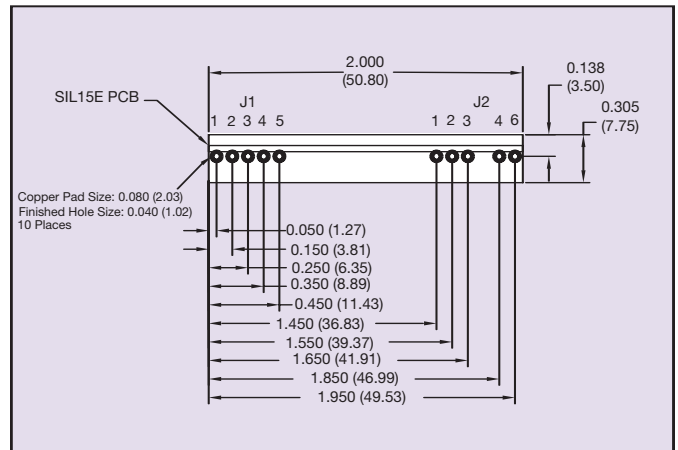


Figure 23 - Recommended Land Pattern for SIL15E

11.6 Pick and Place Information for the SMT15E

The SMT15E is designed with certain features to ensure it is compatible with standard pick and place equipment.

- The product is available in tape and reel.
- The low mass of less than 7 grams (0.24oz) is within the capability of standard pick and place equipment. The choice of nozzle size and style and placement speed may need to be optimised
- The centrally placed inductor has a flat area of 100mm² (0.15in²) that can be used as a pick-up area.
- The substrate will feature a corner chamfer and bottom side fiducials compatible with many types of machine vision systems.

11.7 Water Washing

Where possible, a no-clean solder paste system should be used for solder attaching the product onto application boards. The product is suitable for water washing applications, however, the user must ensure that the drying process is sufficient to remove all water from the converter after washing - never power the converter unless it is fully dried. The user's process must clean the soldered assembly in accordance with ANSI/J-STD-001.

11.8 Inspection/Rework for the SMT15E

Inspection and rework of the SMT15E is facilitated by the following:

- The pins of the SMT15E are positioned close to the edge of the unit to facilitate ease of visual inspection and touch-up.
- The unit is assembled with conventional solder and plating finish
- General SMT repair/rework guidelines apply to these units. In the unlikely event of a unit needing to be removed, this can easily be achieved by heating and removing one pin at a time using either hot air or a conductive iron, however care must be taken not to damage adjacent components. Surface mount units which have been removed are not suitable for re-use and should be replaced with a suitable new part. Normal warranty criteria will apply to the removed units.

A number of conventional techniques may be employed when replacing a unit in the application. A suitable volume of solder paste (as recommended above) is applied to the cleaned pads using either a precision dispenser or a suitable mini-stencil. Reflow is achieved using standard SMT rework techniques such as IR or techniques developed for BGA components.

11.9 Storage

All plastic encapsulated semiconductor components are qualified to IPC/JEDEC J-STD-020A level 1 and are classed as not moisture sensitive. No special storage conditions are required.

Application Note © Artesyn Technologies® 2006
The information and specifications contained in this Application Note are believed to be correct at time of publication. However, Artesyn Technologies accepts no responsibility for consequences arising from printing errors or inaccuracies. The information and specifications contained or described herein are subject to change in any manner at any time without notice. No rights under any patent accompany the sale of any such product(s) or information contained herein.