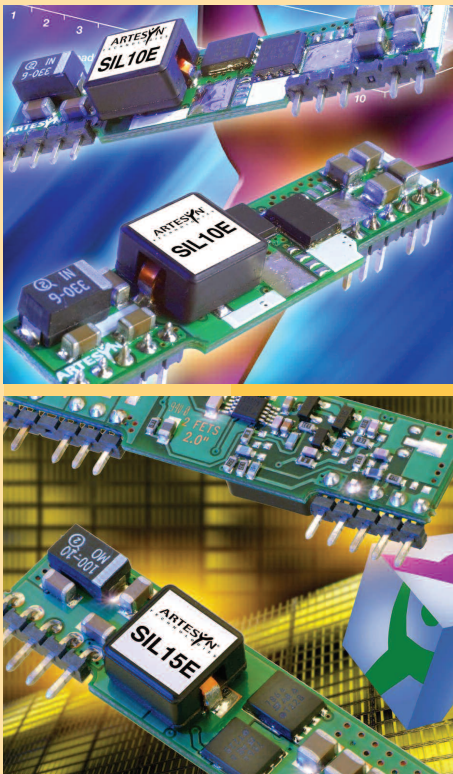




SIL10E/SIL15E Single

Application Note 134



1. Introduction	2
2. Models	
Features	2
3. General Description	
Electrical Description	2
Physical Construction	2
4. Features and Functions	
Wide Operating Temperature Range	3
Over-Temperature Protection (OTP)	3
Output Voltage Adjustment	3
Safe Operating Area	3
Short Circuit Protection	3
Remote ON/OFF	3
5. Safety	
Input Fusing	4
6. Use in a Manufacturing Environment	
Resistance to Solder Heat	4
Water Washing	4
ESD Control	4
7. Applications	
Optimum PCB Layout	4
Optimum Thermal Performance	5
Remote Sense Compensation	6
Output Voltage Adjustment	6
Output Capacitance	8
Output Ripple and Noise Measurement	8
Input Capacitance	8
Test Set-up	8

1. Introduction

This application note describes the features and functions of Artesyn Technologies' SIL10E/SIL15E series of high power density, single output DC/DC converters. These Point of Load modules are targeted specifically at the fixed and mobile telecommunications, industrial electronics and distributed power markets.

This series offers a wide output voltage range of 0.8V to 3.63VDC and can operate over an ambient temperature range of -40°C to +100°C. Ultra-high efficiency operation is achieved through the use of synchronous rectification and control techniques. The modules are fully protected against short-circuit and over-temperature conditions. Standard features include remote ON/OFF and remote sense.

The series has been designed primarily for telecommunication applications. Automated manufacturing methods, together with an extensive qualification program, ensure that all both series of converters are extremely reliable.

2. Models

Model	Input Voltage	Output Voltage	Output Current
SIL10E-05S0V8-VJ	3.0 -5.5VDC	0.8V	10A
SIL10E-05S1V0-VJ	3.0 -5.5VDC	1.0V	10A
SIL10E-05S1V2-VJ	3.0 -5.5VDC	1.2V	10A
SIL10E-05S1V5-VJ	3.0 -5.5VDC	1.5V	10A
SIL10E-05S1V8-VJ	3.0 -5.5VDC	1.8V	10A
SIL10E-05S2V0-VJ	3.0 -5.5VDC	2.0V	10A
SIL10E-05S2V5-VJ	3.0 -5.5VDC	2.5V	10A
SIL10E-05S3V3-VJ	4.5 - 5.5VDC	3.3V	10A
SIL10E-05W3V3-VJ	3.0 - 5.5VDC	3.3V	10A

To order a unit with horizontal mounting, please add the suffix '-H' to the model number e.g. SIL10E-05S3V3-HJ

Table 1 - SIL10E Models

Model	Input Voltage	Output Voltage	Output Current
SIL15E-05S1V8-VJ	3.0 - 5.5VDC	1.8V	15A
SIL15E-05S2V5-VJ	3.0 - 5.5VDC	2.5V	15A
SIL15E-05S3V3-VJ	4.5 - 5.5VDC	3.3V	15A
SIL15E-05W3V3-VJ	3.0 - 5.5VDC	3.3V	15A

(If horizontal mounting is required please refer to the SMT15E family or alternatively contact you Artesyn Representative). Other voltages available on request.

Table 2 - SIL15E Models

RoHS Compliance Ordering Information



The 'J' at the end of the part number indicates that the part is Pb-free (RoHS 6/6 compliant). TSE RoHS 5/6 (non Pb-free) compliant versions may be available on special request, please contact your local sales representative for details.

Features

- High efficiency topology, typically 95% at 3.3V
- Industry standard footprint
- Wide ambient temperature range, -40°C to +100°C
- -75% to +10% output trim on W3V3 model
- ±10% output voltage adjustability on all other output setpoint models
- No minimum load requirement
- Remote ON/OFF
- Remote sense compensation
- Fixed switching frequency
- Continuous short-circuit protection
- Overtemperature protection (OTP)
- Available RoHS compliant

3. General Description

3.1 Electrical Description

A block diagram of both SIL10E and SIL15E converters is shown in Figure 1. Extremely high efficiency power conversion is achieved through the use of synchronous rectification techniques.

The SIL topology is a non-isolated three terminal synchronous buck converter. The control of the synchronous rectifiers are optimized for high efficiency power conversion.

The output is adjustable over a range of -75% to +10% of the nominal output voltage, using the TRIM pin. This is available on both the SIL10E-05W3V3 model and the SIL15E-05W3V3J. All other output setpoints are indicated by 'S' e.g. SIL10E-05S3V3J and have a ±10% trim range.

The converter can be shut down via a remote ON/OFF input that is referenced to ground. This input is compatible with popular logic devices; a 'negative' logic input is supplied as standard. Negative logic implies that the converter is enabled if the remote ON/OFF input is low (or floating), and disabled if it is high.

The converter is also protected against over-temperature conditions. If the converter is overloaded or the ambient temperature gets too high, the converter will shut down until the temperature falls below a minimum threshold. There is a thermal hysteresis of typically 120°C to 115°C, to protect the unit.

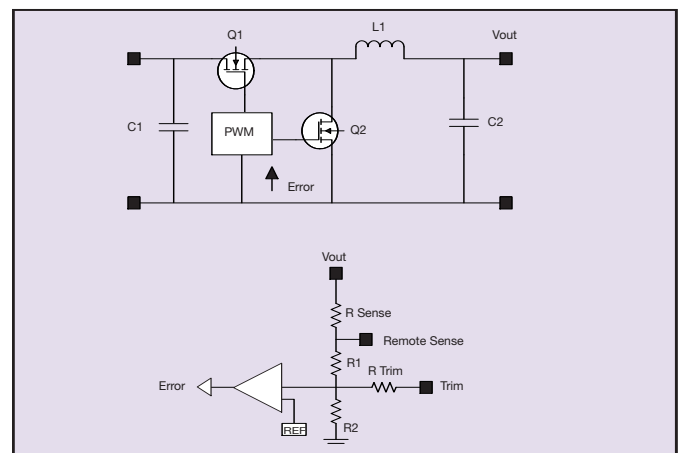


Figure 1 - Electrical Block Diagram

3.2 Physical Construction

The SIL10E/SIL15E are constructed using a multi-layer FR4 PCB. SMT power components are placed on one side of the PCB, and all low-power control components are placed on the other side. Heat dissipation of the power components is optimized, ensuring that control components are not thermally stressed.

The converter is an open-frame product and has no case or case pin. The open-frame design has several advantages over encapsulated closed devices. Among these advantages are:

- **Cost:** no potting compound, case or associated process costs involved.
- **Thermals:** the heat is removed from the heat generating components without heating more sensitive, less tolerant components.
- **Environmental:** some encapsulants are not kind to the environment and create problems in incinerators. Further more open-frame converters are more easily re-cycled.
- **Reliability:** open-frame modules are more reliable for a number of reasons, including improved thermal performance and reduced TCE stresses.

A separate paper discussing the benefits of open-frame DC/DC converters (Design Note 102) is available at www.artesyn.com

4. Features and Functions

4.1 Wide Operating Temperature Range

Both converters ability to accommodate a wide range of ambient temperatures is the result of its extremely high power conversion efficiency and resultant low power dissipation, combined with the excellent thermal performance of the PCB substrate. The maximum output power that the module can deliver depends on a number of parameters, primarily:

- Input voltage range
- Output load current
- Air velocity (forced or natural convection)
- Mounting orientation of target application PCB, i.e. vertical/horizontal mount
- Target application PCB design, especially ground planes. These can be effective heatsinks for the converter

Both modules can be operated from -40°C to a maximum ambient temperature of +100°C. Some design graphs are included in Figures 6, 7, 8 and 9 to simplify the design task and allow the power system designer to determine the maximum output current at which the SIL10E module may be operated for a given ambient temperature and airflow. The de-rating graphs for the SIL15E can be found in the SIL15E Long Form datasheet.

4.2 Over-Temperature Protection (OTP)

Both converters are equipped with non-latching over-temperature protection. A temperature sensor monitors the temperature of the top switch. If the temperature exceeds a threshold of 120°C (typical) the converter will shut down, disabling the output. When the case temperature has decreased by between 5°C and 10°C the converter will automatically restart. (On no load the output voltage may remain high but the O/P shuts down as soon as a load is applied).

Both converters might experience over-temperature conditions during a persistent overload on the output. Overload conditions can be caused by external faults. OTP might also be entered due to a loss of control of the environmental conditions (e.g. an increase in

the converter's ambient temperature due to a failing fan).

4.3 Output Voltage Adjustment

The output voltage on all models is trimmable from -10% to +10% of the nominal voltage setpoint. Two wide trim models are also available that allow the user to trim from -75% to +10% of the output setpoint. These models are the SIL10E-05W3V3J and the SIL15E-05W3V3J. Details on how to trim all models are provided in Section 7.4.

4.4 Safe Operating Area

The Safe Operating Area (SOA) of the converters are shown in Figure 2. Assuming the converter is operated within its thermal limits it can deliver rated output current I_{rated} .

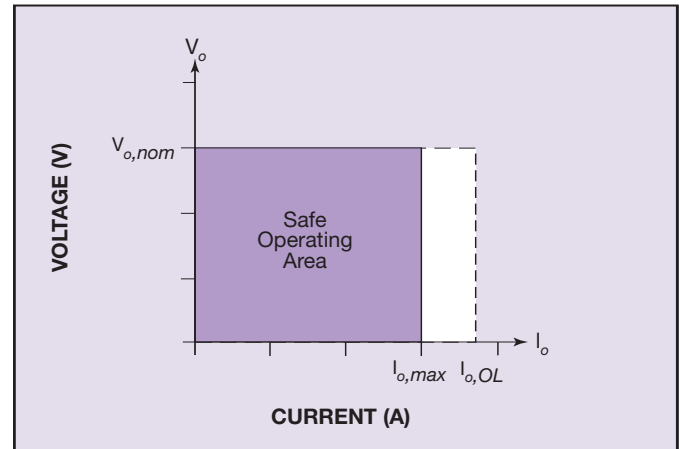


Figure 2 - Maximum Output Current Safe Operating Area

It should be noted that the SOA shown in Figure 2 is valid only if the converter is operated within its thermal specification. See Section 7.2 for more details.

4.5 Short Circuit Protection

All models have a full continuous short-circuit protection. The unit will auto recover once the short circuit is removed. The unit is protected only against extreme short circuits.

The unit is protected in an overload condition by the OTP function. However, we do not recommend operating the unit in a heavy overload condition as it results in the converters lifetime being reduced.

4.6 Remote ON/OFF

The remote ON/OFF input allows external circuitry to put the converters into a low dissipation sleep mode.

The SIL10E/SIL15E features a 'Negative Logic' Remote ON/OFF operation. If not using the Remote ON/OFF pin, leave the pin open (the converter will be on). The Remote ON/OFF pin is referenced to ground.

The following conditions apply for the SIL10E/SIL15E:

Configuration	Converter Operation
Remote pin open circuit	Unit is ON
Remote pin pulled low	Unit is ON
Remote pin pulled high [$V_{on/off} > 1.2V$]	Unit is OFF

A 'Positive Logic' Remote ON/OFF version is also possible with this converter. Please consult factory for details.

To simplify the design of the external control circuit, logic signal thresholds are specified over the full temperature range. The maximum remote ON/OFF input open circuit voltage, as well as the acceptable leakage currents, are specified in the SIL10E and SIL15E Longform Datasheets. The remote ON/OFF input can be driven as described in Figure 3.

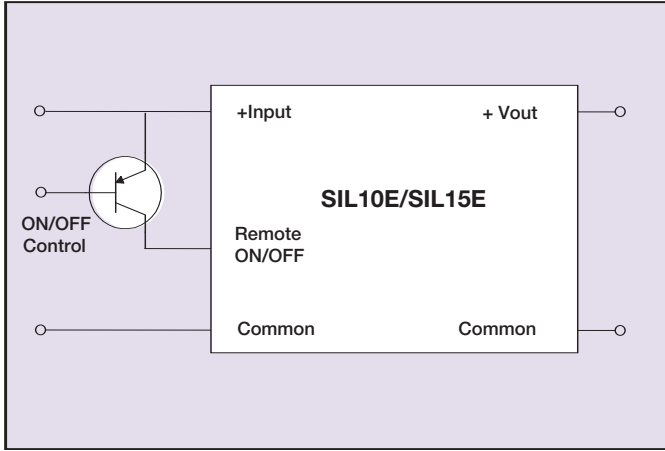


Figure 3 - Remote ON/OFF Input Drive Circuit for Non-Isolated Bipolar

5. Safety

5.1 Input Fusing

In order to comply with safety requirements, the user must provide a fuse in the unearthed input line. The reason for putting the fuse in the unearthed line is to avoid earth being disconnected in the event of a failure.

A 12.5 Amp slow-blow/anti-surge HRC (High Rupture Capacity) fuse should be used for all SIL10E models.

Recommended Fuse: A - S(T) 1.25 x 0.25 inches
SIBA P/N 70 - 065/65/12.5ARS

A 16Amp slow-blow/anti-surge HRC fuse should be used for all SIL15E models.

Recommended Fuse: A - S(T) 1.25 x 0.25 inches
SIBA P/N 70 - 065/65/16ARS

6. Use in a Manufacturing Environment

6.1 Resistance to Solder Heat

These converters are intended for PCB mounting. Artesyn Technologies has determined how well the product can resist the temperatures associated with soldering of PTH components without affecting its performance or reliability. The method used to verify this is MIL-STD-202 method 210D. Within this method two test conditions were specified, Soldering Iron condition A and Wave Solder Condition C.

For the soldering iron test, the UUT was placed on a PCB with the recommended PCB layout pattern shown section 8. A soldering iron set to 350°C±10°C was applied to each terminal for 5 seconds. The UUT was then removed from the test PCB and examined under a microscope for any reflow of the pin solder or physical change to the terminations. None was found.

For the wave solder test, the UUT was again mounted on a test PCB. The unit was wave soldered using the conditions shown in Table 3. The UUT was inspected after soldering and no physical change was found on the pin terminations.

Temperature	Time	Temperature Ramp
260°C±5°C	10sec±1	Preheat 4°C/sec to 160°C. 25mm/sec rate

Table 3 - Wave Solder Test Conditions

6.2 Water Washing

Where possible, a no-clean solder paste system should be used for solder attaching the SIL product onto application boards. The SIL is suitable for water washing applications, however, the user must ensure that the drying process is sufficient to remove all water from the converter after washing - never power the converter unless it is fully dried. The user's process must clean the soldered assembly in accordance with ANSI/J-STD-001.

6.3 ESD Control

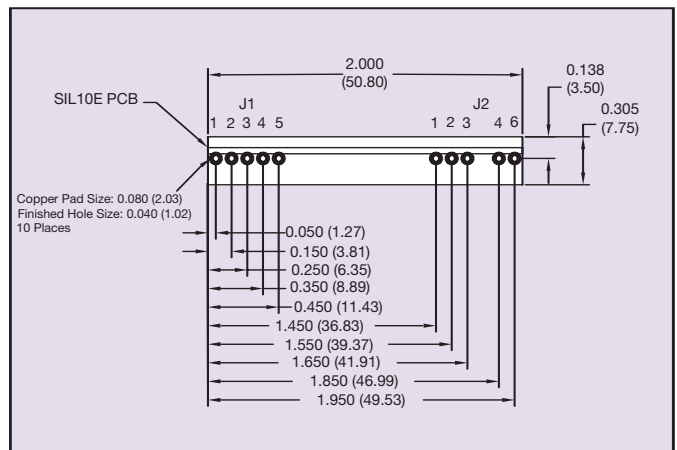
Both converter units are manufactured in an ESD controlled environment and supplied in conductive packaging to prevent ESD damage occurring before or during shipping. It is essential that they are unpacked and handled using approved ESD control procedures. Failure to do so could affect the lifetime of the converter.

7. Applications

7.1 Optimum PCB Layout

The PCB acts as a heat sink and draws heat from the unit via conduction through the pins and through radiation. The end user must ensure that other components and metal in the vicinity of the SIL10E and SIL15E meet the spacing requirements to which the system is approved. Low resistance and low inductance PCB layout traces should be used where possible, particularly when high currents are flowing (e.g. the output side). A low impedance track should connect input ground and output ground to maximize efficiency of the unit.

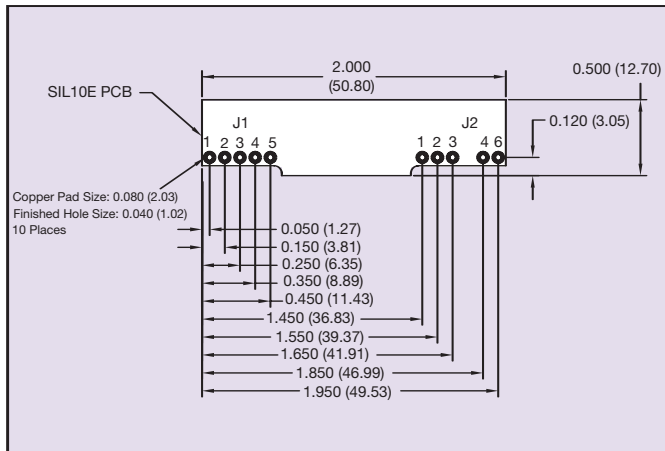
VIEW IS FROM TOP SIDE



ALL DIMENSIONS IN INCHES (mm)
ALL TOLERANCES ARE ±0.004 (0.10)

Figure 4a - Recommended Footprints (Vertical Mount)

VIEW IS FROM TOP SIDE



ALL DIMENSIONS IN INCHES (mm)
ALL TOLERANCES ARE ± 0.004 (0.10)

Figure 4b - Recommended Footprints (Horizontal Mount)

7.2 Optimum Thermal Performance

The electrical operating conditions of the SIL10E and SIL15E, namely:

- Input voltage, V_{in}
- Output voltage, V_o
- Output current, I_o

determine how much power is dissipated within the converter. The following parameters further influence the thermal stresses experienced by the converter:

- Ambient temperature
- Air velocity
- Thermal efficiency of the end system application
- Parts mounted on system PCB that may block airflow
- Real airflow characteristics at the converter location

The maximum acceptable temperature measured at the thermal reference points is 115°C. These thermal reference points are shown in Figures 5a and 5b.

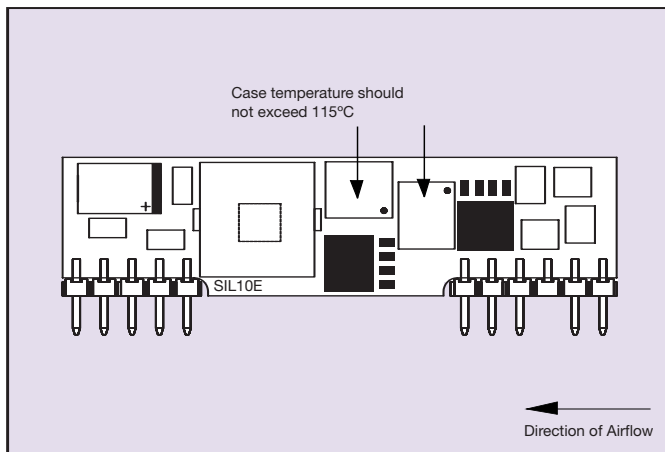


Figure 5a - Thermal Reference Point Locations on SIL10E

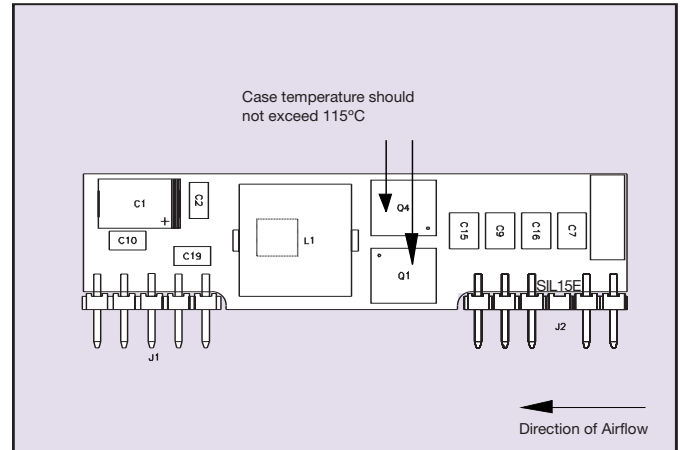


Figure 5b - Thermal Reference Point Locations on SIL15E

In order to simplify the thermal design, a number of graphs are given in both longform datasheets and four of those pertaining to the SIL10E series are repeated here in Figures 6, 7, 8 and 9. The de-rating graphs for the SIL15E can be found in the SIL15E longform datasheet. These de-rating graphs show the load current of the SIL10E versus the ambient air temperature and forced air velocity. However, since the thermal performance is heavily dependent upon the final system application, the user needs to ensure the thermal reference point temperatures are kept within the recommended temperature rating. It is recommended that the thermal reference point temperatures are measured using a thermocouple or an IR camera. In order to comply with stringent Artesyn de-rating criteria the ambient temperature should never exceed 100 °C. Please contact Artesyn Technologies for further support.

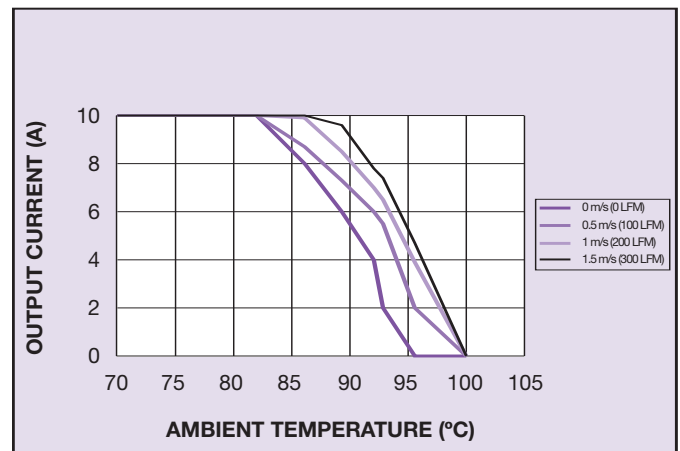


Figure 6 - Maximum Output Current vs. Ambient Temperature and Airflow for SIL10E-05W3V3J, with $V_{in} = 5V$ and No Trim

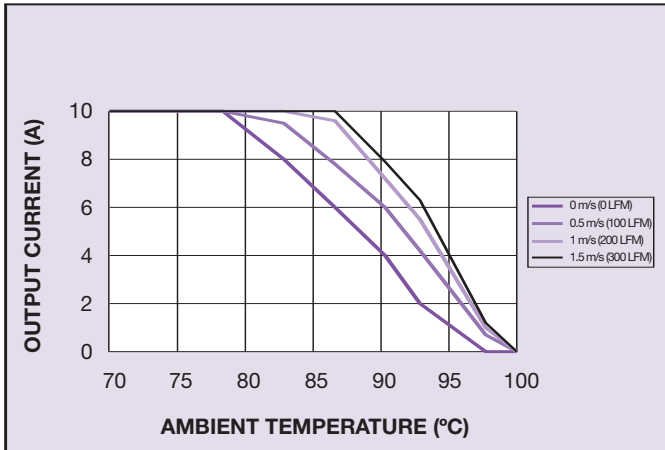


Figure 7 - Maximum Output Current vs. Ambient Temperature and Airflow for SIL10E-05W3V3J, with $V_{in} = 5V$ and Full Trim down, $V_{out} = 0.8V$

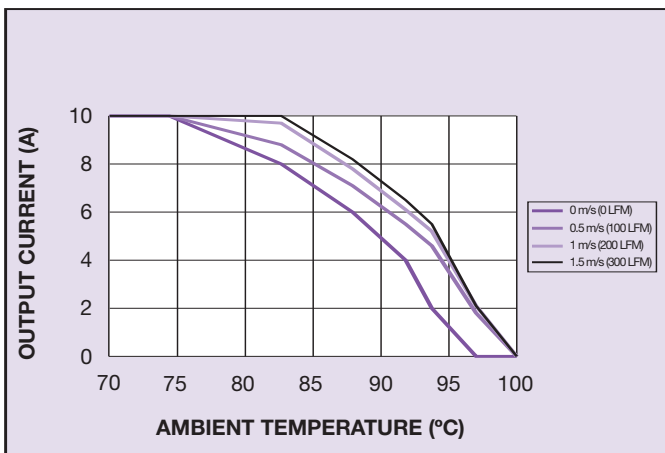


Figure 8 - Maximum Output Current vs. Ambient Temperature and Airflow for SIL10E-05S2V5J, with $V_{in} = 3.3V$ and No Trim

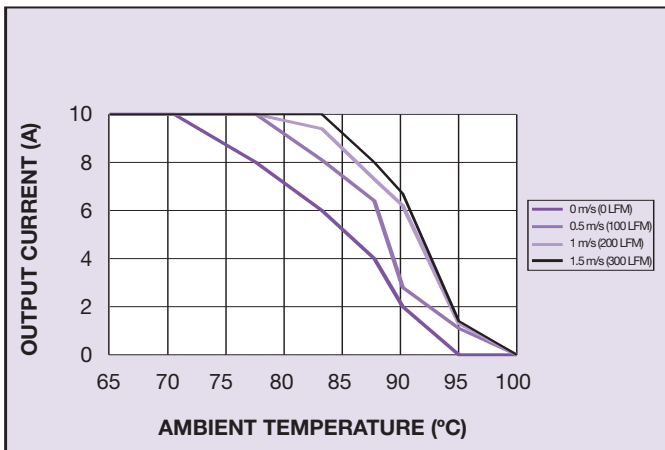


Figure 9 - Maximum Output Current vs. Ambient Temperature and Airflow for SIL10E-05S2V5J, with $V_{in} = 5V$ and No Trim

7.3 Remote Sense Compensation

The remote sense compensation feature minimizes the effect of resistance in the distribution system and facilitates accurate voltage regulation at the load terminals or another selected point. The remote sense line will carry very little current and hence does not require a large cross-sectional area. However, if the sense line is routed on a PCB, it should be located close to a ground plane in order to minimize any noise coupled onto the lines that might impair control loop stability. A small 100nF ceramic capacitor can be connected at the point of load to decouple any noise on the sense wires. The module will compensate for a maximum drop of 10% of the nominal output voltage. However, if the unit is already trimmed up, the available remote sense compensation range will be correspondingly reduced. Remember that when using remote sense compensation all the resistance, parasitic inductance and capacitance of the distribution system are incorporated into the feedback loop of the power module. This can have an effect on the module's compensation capabilities, affecting its stability and dynamic response.

7.4 Output Voltage Adjustment

The output can be externally trimmed by $\pm 10\%$ by connecting an external resistor between the TRIM pin and either the V_{sense+} or Ground pin. With an external resistor between TRIM and ground, R_{TRIM_UP} , the output voltage setpoint increases. Conversely, connecting an external resistor between TRIM and V_{sense+} , R_{TRIM_DOWN} , the output voltage set point decreases. This is shown in Figures 10 and 11.

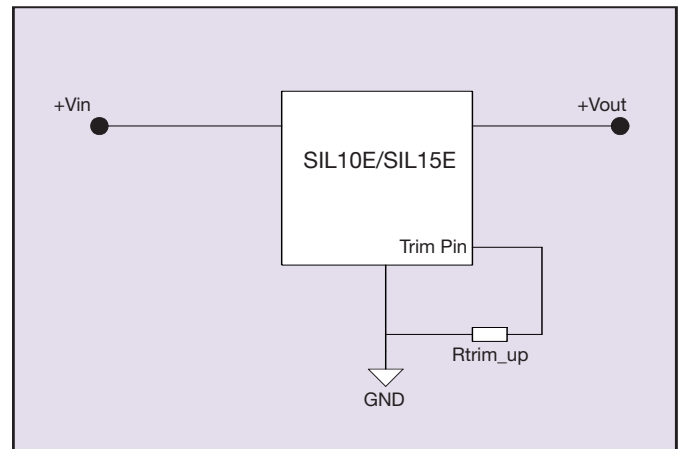


Figure 10 - Trimming Output Voltage - Trim up

The common trim curves for both models are shown in Figures 12 and 13. The wide trim versions allow the user to trim down to 0.8V, as shown in Figure 14.

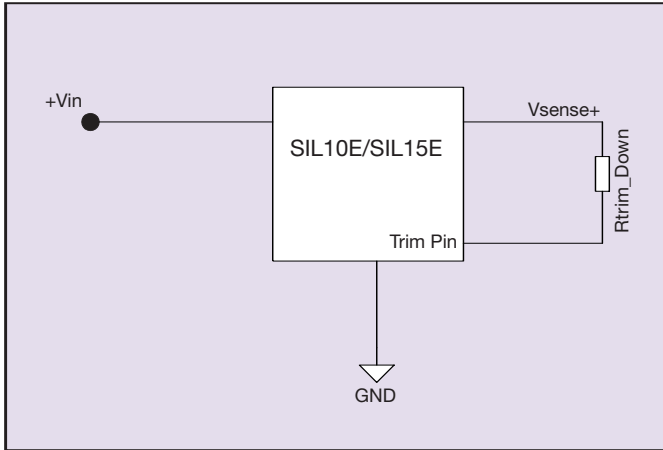


Figure 11 - Trimming Output Voltage - Trim Down

The relevant trim equations (equations hold for any input voltage between 3.0V and 5.5V) to derive the appropriate trim resistance are as follows:

$$R_{Tu} = K \left(\frac{A_u - V_{out} B_u}{C_u V_{out} - D_u} \right)$$

Where,

R_{Tu} = Trim resistor from trim To GND

V_{out} = Desired output trim setpoint

and the following parameters are defined:

Where	K	A _u	B _u	C _u	D _u
S0V8	10 ⁵	16.14	18.06	26.80	21.43
S1V0	10 ⁵	5.235	4.735	7.64	7.62
S1V2	10 ⁵	4.47	3.02	11.83	14.26
S1V5	10 ⁵	35.85	20.70	26.80	40.39
S1V8	10 ⁵	5.17	2.59	2.46	4.43
S2V0	10 ⁵	3.51	1.57	1.65	3.32
S2V5	10 ⁵	11.50	4.11	5.50	13.74
S3V3	10 ⁵	8.27	2.26	3.92	12.93
W3V3	10 ³	7.70	2.08	1.69	5.58

$$R_{TD} = K \left(\frac{A_d - V_{out} B_d}{V_{out} C_d - D_d} \right)$$

R_{td} = Trim resistor from trim To V_{sense+}

V_{out} = Desired output trim down setpoint

Where	K	A _d	B _d	C _d	D _d
S0V8	10 ⁵	16.14	22.48	26.80	21.43
S1V0	10 ⁵	5.235	6.035	7.64	7.62
S1V2	10 ⁵	4.47	4.20	11.83	14.26
S1V5	10 ⁵	35.85	28.00	26.80	40.39
S1V8	10 ⁵	5.17	3.33	2.46	4.43
S2V0	10 ⁵	3.51	2.07	1.65	3.32
S2V5	10 ⁵	11.50	5.76	5.50	13.74
S3V3	10 ⁵	8.27	3.44	3.92	12.93
W3V3	10 ³	7.70	9.91	1.69	5.58

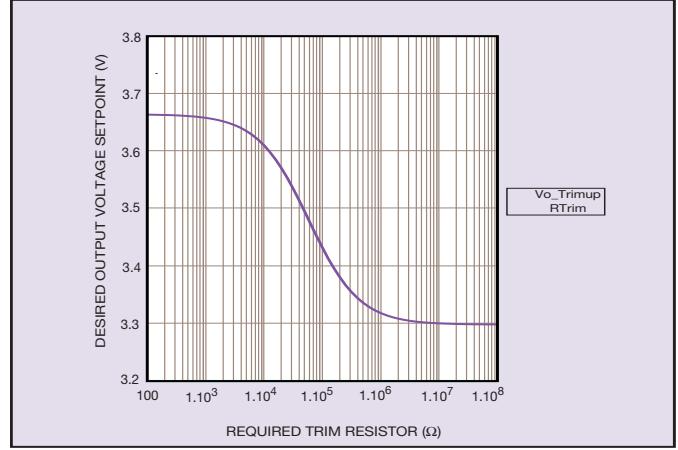


Figure 12 - Typical Trim Up Curve for SIL10E/SIL15E S3V3 models (Resistor from Trim to Ground)

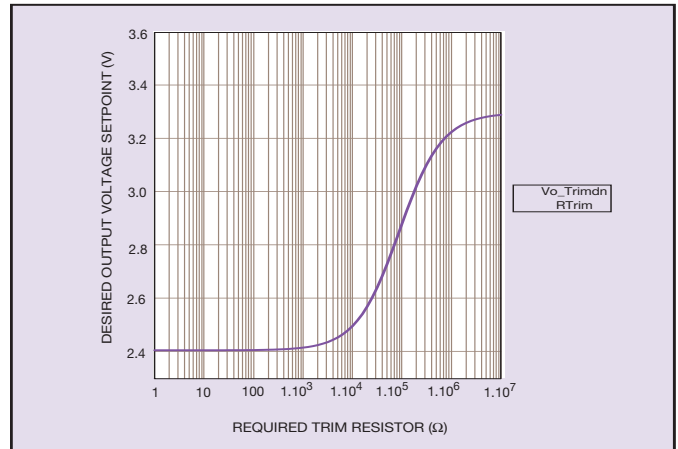


Figure 13 - Typical Trim Down Curve for SIL10E/SIL15E S3V3 models (Resistor from TRIM to V_{sense+})

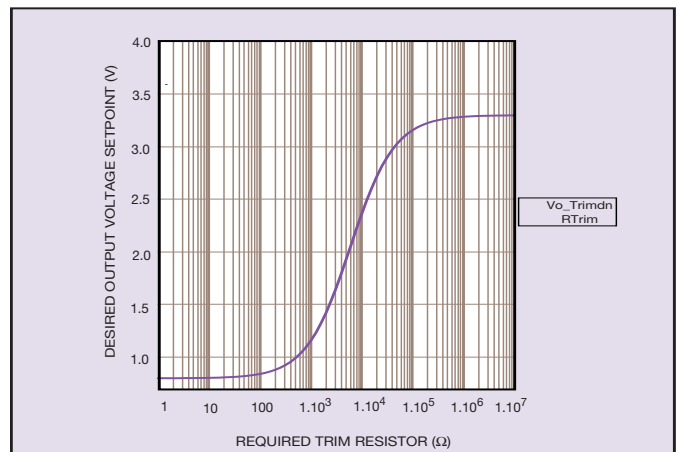


Figure 14 - Typical Trim Down Curve for SIL10E/SIL15E W3V3 models (Resistor from Trim to V_{sense+})

7.5 Output Capacitance

These converters have been designed for stable operation without the need for external capacitance at the output terminals. However, when powering loads with large dynamic current requirements, improved voltage regulation can be obtained by inserting capacitors as close as possible to the load. The most effective technique is to locate low ESR ceramic capacitors as close to the load as possible, using several capacitors to lower the overall ESR. These ceramic capacitors will handle the short duration high frequency components of the dynamic current requirement.

It is equally important to use good design practices when configuring the DC distribution system. Low resistance and low inductance PCB layout traces should be utilized, particularly in the high current output section. Remember that the capacitance of the distribution system and the associated ESR are within the feedback loop of the power module. This can have an effect on the module's compensation capabilities and its resultant stability and dynamic response performance. With large values of capacitance, the stability criteria depend on the magnitude of the ESR with respect to the capacitance. As much of the capacitance as possible should be outside the remote sensing loop and close to the load. Note that the maximum rated value of output capacitance for all models is 10,000 μ F. Contact your local Artesyn Technologies representative for further information if larger output capacitance values are required in the application.

7.6 Output Ripple and Noise Measurement

The measurement set-up outlined in Figure 15 has been used for output voltage ripple and noise measurements on these converters. When measuring output ripple and noise, a 50 Ω coaxial cable with a 50 Ω termination should be used to prevent impedance mismatch reflections disturbing the noise readings at higher frequencies.

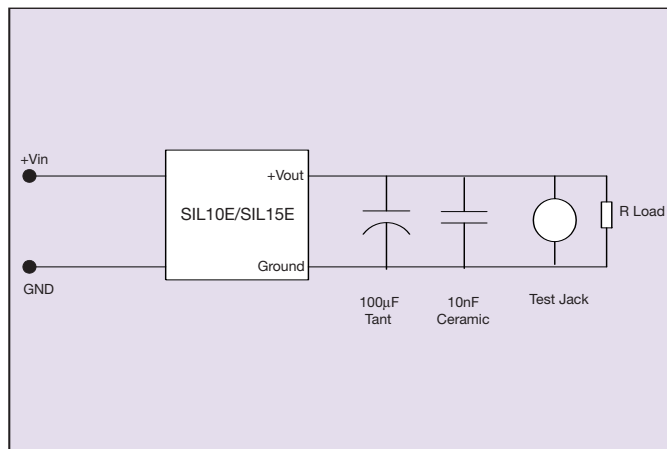


Figure 15 - Output Voltage Ripple and Noise Measurement Set-Up

7.7 Input Capacitance

These converters must be connected to a low AC source impedance. High source inductance can affect the loop stability. Input capacitance should be placed close to the converter input pins to decouple distribution inductance. The external input capacitors must be chosen for suitable ripple current rating. Electrolytic capacitors should be avoided. Recommended input capacitors are ceramics such as 10 μ F 10V 1812 or similar.

7.8 Test Set-up

This converter is non-isolated, that is, the input and output share a common ground. These grounds should be connected together via a low impedance ground plane in the application circuit. When testing a converter on a bench set-up, ensure that V_{in-} and V_{o-} are connected together via a low impedance short to ensure proper efficiency and load regulation measurements are being made. When testing the converter under any transient conditions please ensure that the transient response of the source is sufficient to power the equipment under test. Under some test conditions it may be necessary to power the unit with a half brick such as an Artesyn Technologies EXB250.